

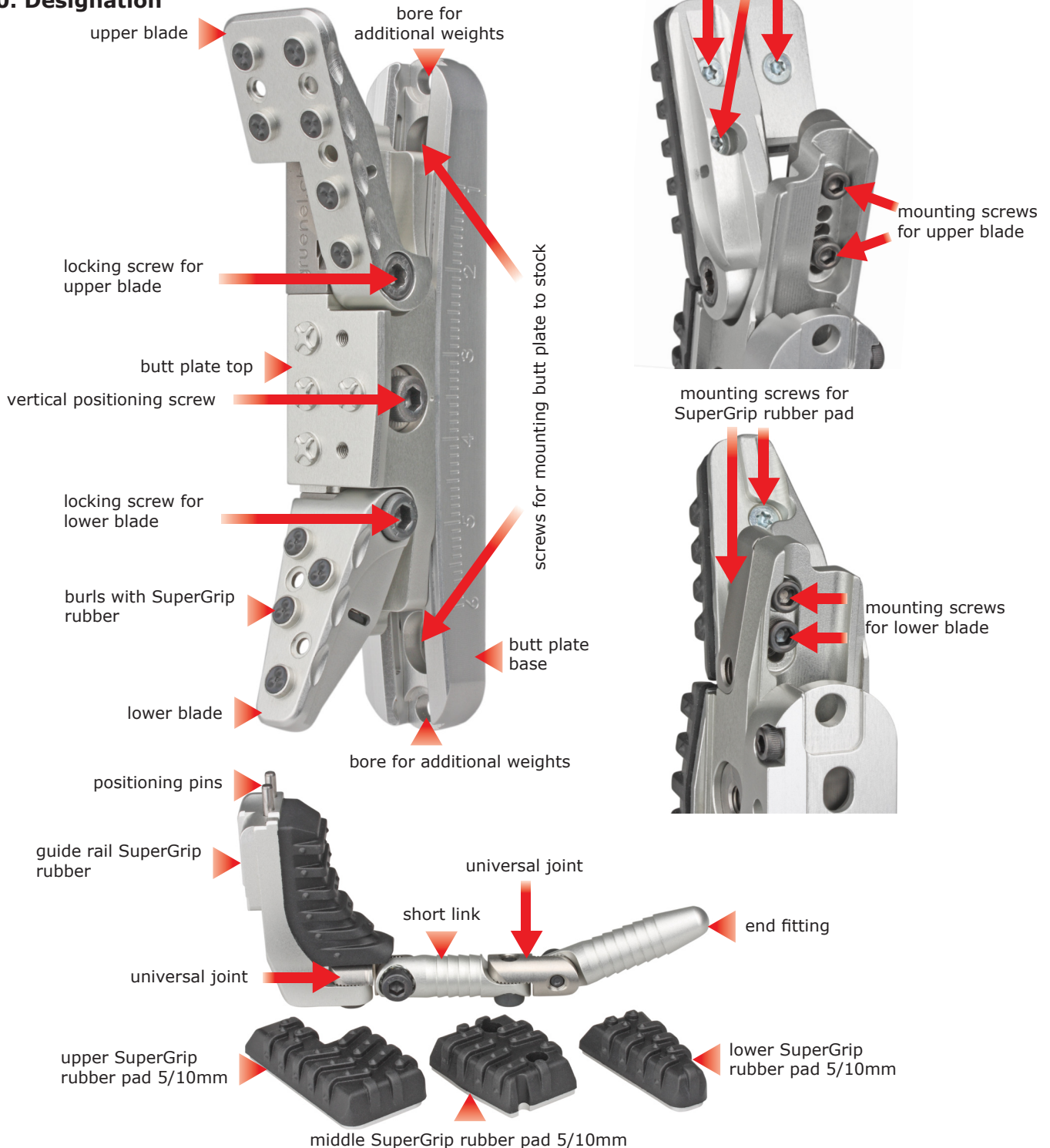


Contents:

0. Designation
1. Installation
2. SuperGrip rubber 5mm and 10mm
3. Adjustment of the upper and lower blade
4. Adjustment of the blade-spacing
5. Adjustment of the vertical axis
6. Converting from Standard to Free Rifle
7. Accessories

Instruction manual for butt plate EASY

0. Designation



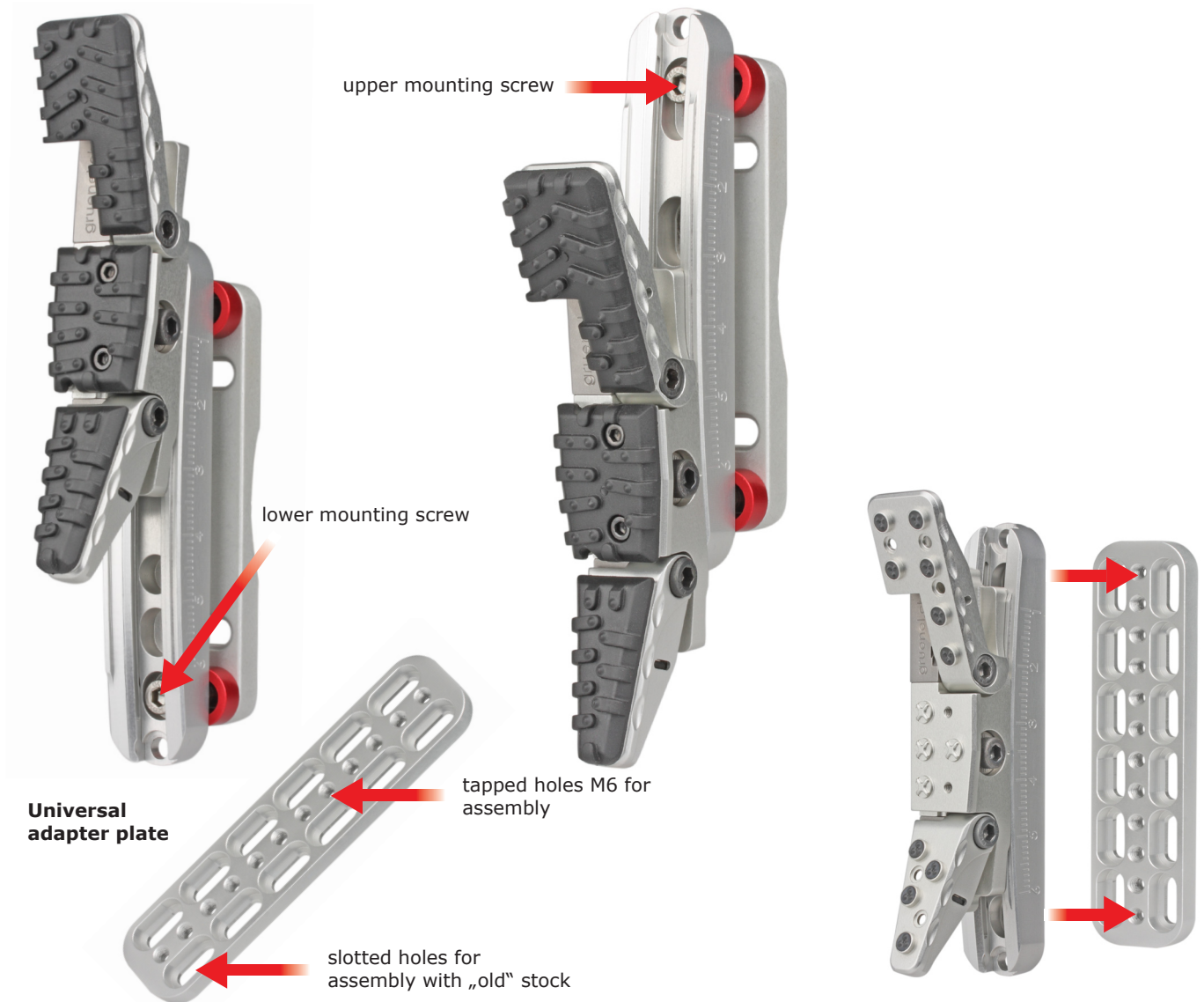
1. Installation of butt plate

The butt plate EASY can be mounted on nearly any type of rifle. If you can not fit it on your rifle use the universal adapter plate.

First remove the old butt plate from your rifle.

On the lower part of the butt plate EASY you will find slotted holes for mounting.

You may use the screws from your old butt plate, but make sure the screw heads do not touch the moving parts of the butt plate. If they do, use screws with a flatter screw head or reduce the thickness of the screw head.



2. SuperGrip rubber pads 5mm and 10mm

The SuperGrip rubber pads are available either in 5mm or 10mm thickness and can be used for all disciplines.

The SuperGrip rubber pads can be mounted on the upper or lower blades or on the butt plate body or on all three parts.

On all three locations you can chose between 5mm or 10mm thick SuperGrip rubber pads.

The SuperGrip rubber pads are attached to the blades with Torx screws from the back side of the blades. Use the Torx wrench included.

To mount the SuperGrip rubber pads on the lower blade remove the blade from the butt plate body. This is the only way to access all the screws.

assembly of the SuperGrip rubber pad on the upper blade



assembly of the SuperGrip rubber pad on the lower blade



3. Adjusting upper and lower blades

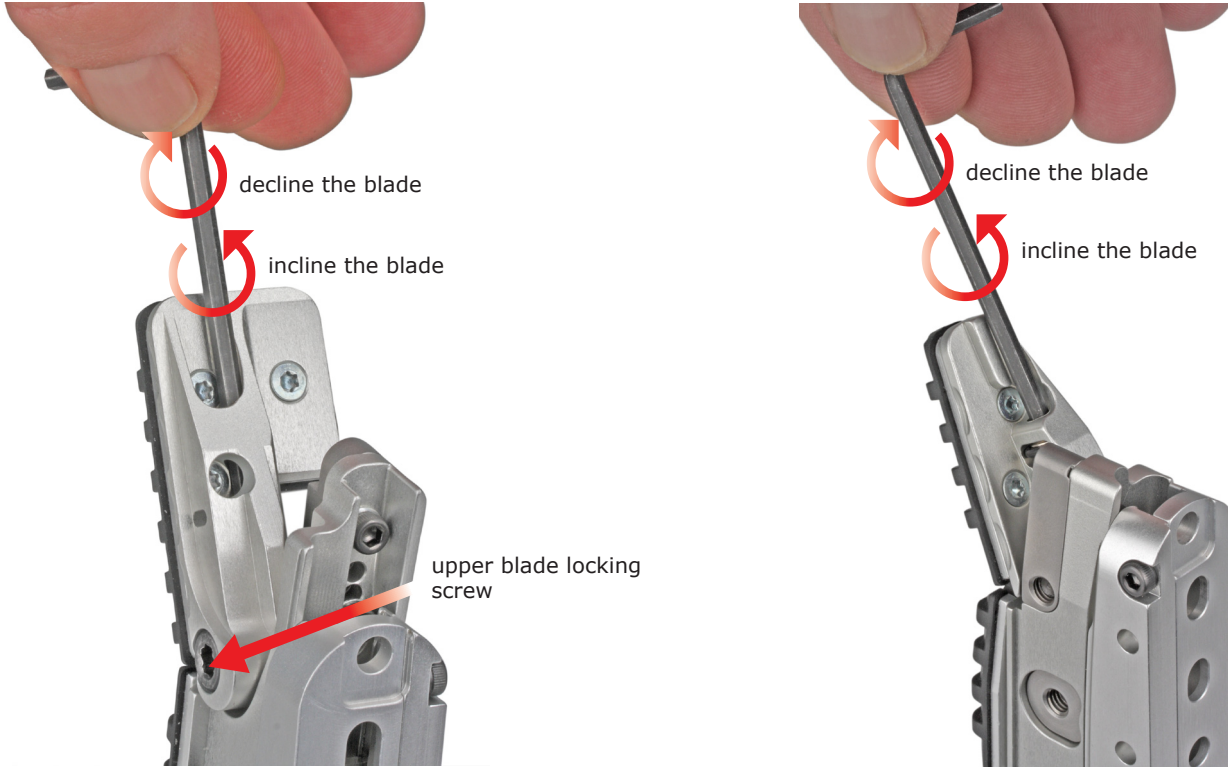
The inclination of the blades is adjustable. Remember to keep the inclination within the allowable limits.

Adjusting procedures are the same for upper and lower blades.

Loosen blade locking screw by ½ turn, then adjust the blade angle with the Allen wrench.

- To decline the blade turn wrench clockwise
- To incline the blade turn wrench counterclockwise.

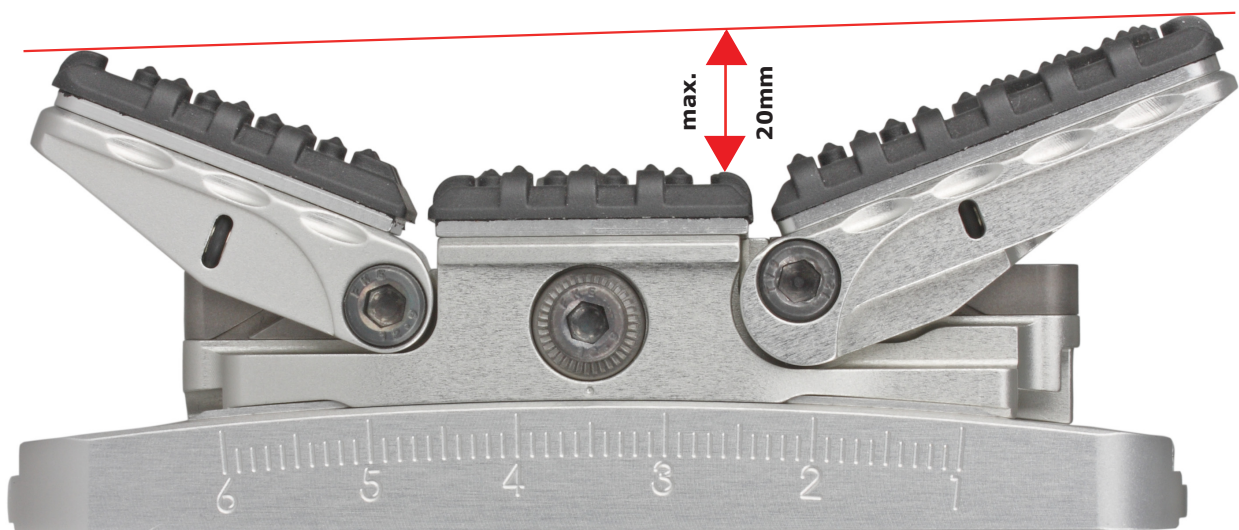
After adjusting blades tighten locking screws.



Caution:

Make sure you do not exceed **20mm** between the highest point of both blades and the highest point of the butt plate body, or you will exceed ISSF regulation.

To check the setting place a straight edge across the blades and measure to the highest point of the butt plate or SuperGrip rubber pad if used.



4. Adjustment of blade spacing

The distance between the blades is adjustable. The upper blade can be located at 4 positions and the lower at 2.

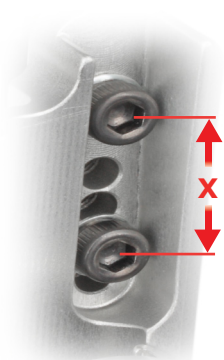
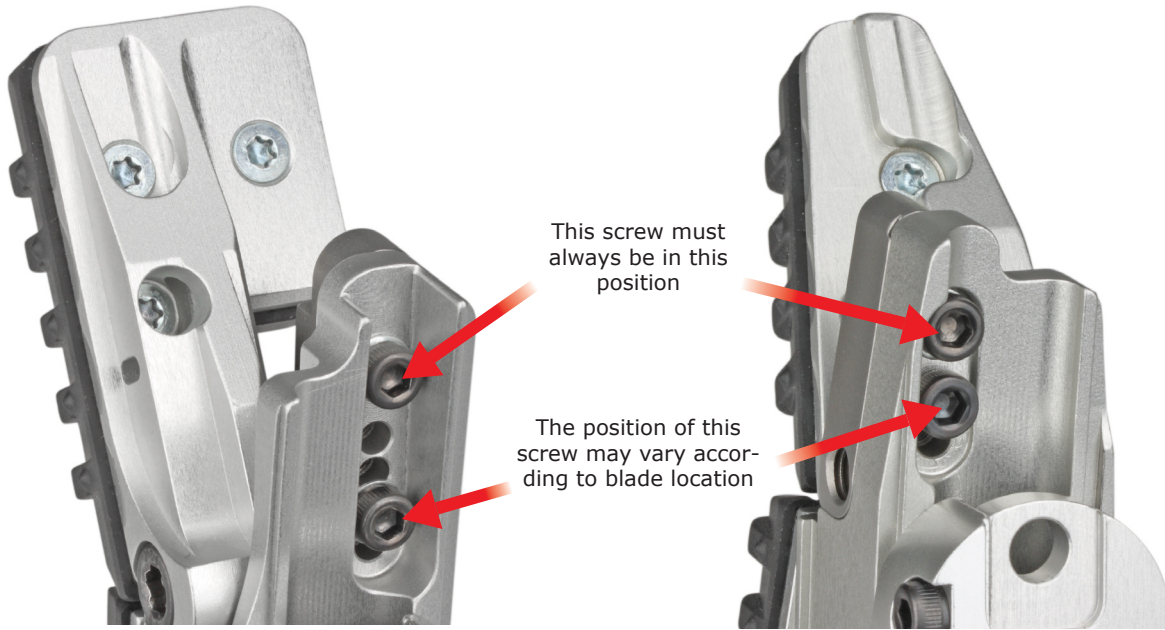
Adjusting upper blade.

Remove both blade mounting screws on the back side of the butt plate body. Slide blade into desired position without removing blade from the butt plate body. When you have positioned the blade insert the blade mounting screws, making sure that one screw is in the outer most hole of the plate body. Place the other screw into a hole that lines up with the blade. Tighten both screws.

Adjusting lower blade.

Same as adjusting upper blade.

View from behind



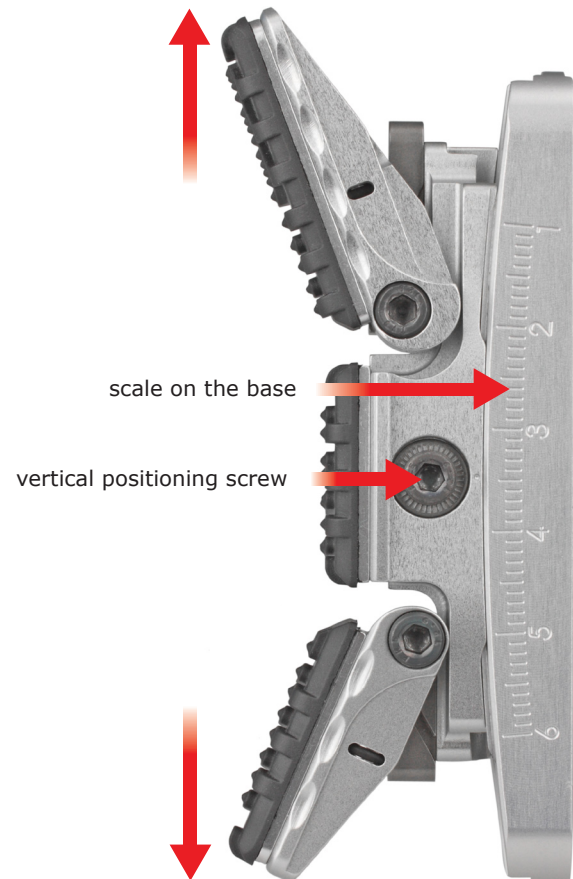
Caution

Bear in mind to mount the inner (variable) screw as far as possible away from the outer screw for max. stability

5. Adjustment of vertical axis

The vertical position of the butt plate can easily be adjusted by loosening the positioning screw. One turn is enough. When the butt plate is in the desired position tighten the screw.

A scale at the right side of the base will assist you to replicate previously used positions. The middle position is at 3.5 on the scale. From this position you can move the plate up or down by 4 cm.



6. Converting the butt plate, EASY from Standard to Free Rifle

The butt plate can be converted to a free rifle plate. To do this you'll need a hook assembly. Three hook assemblies are available for the butt plate EASY.

- Hook assembly complete without SuperGrip rubber pads.
- Hook assembly complete with 5 mm thick SuperGrip rubber pads.
- Hook assembly complete with 10 mm thick SuperGrip rubber pads.

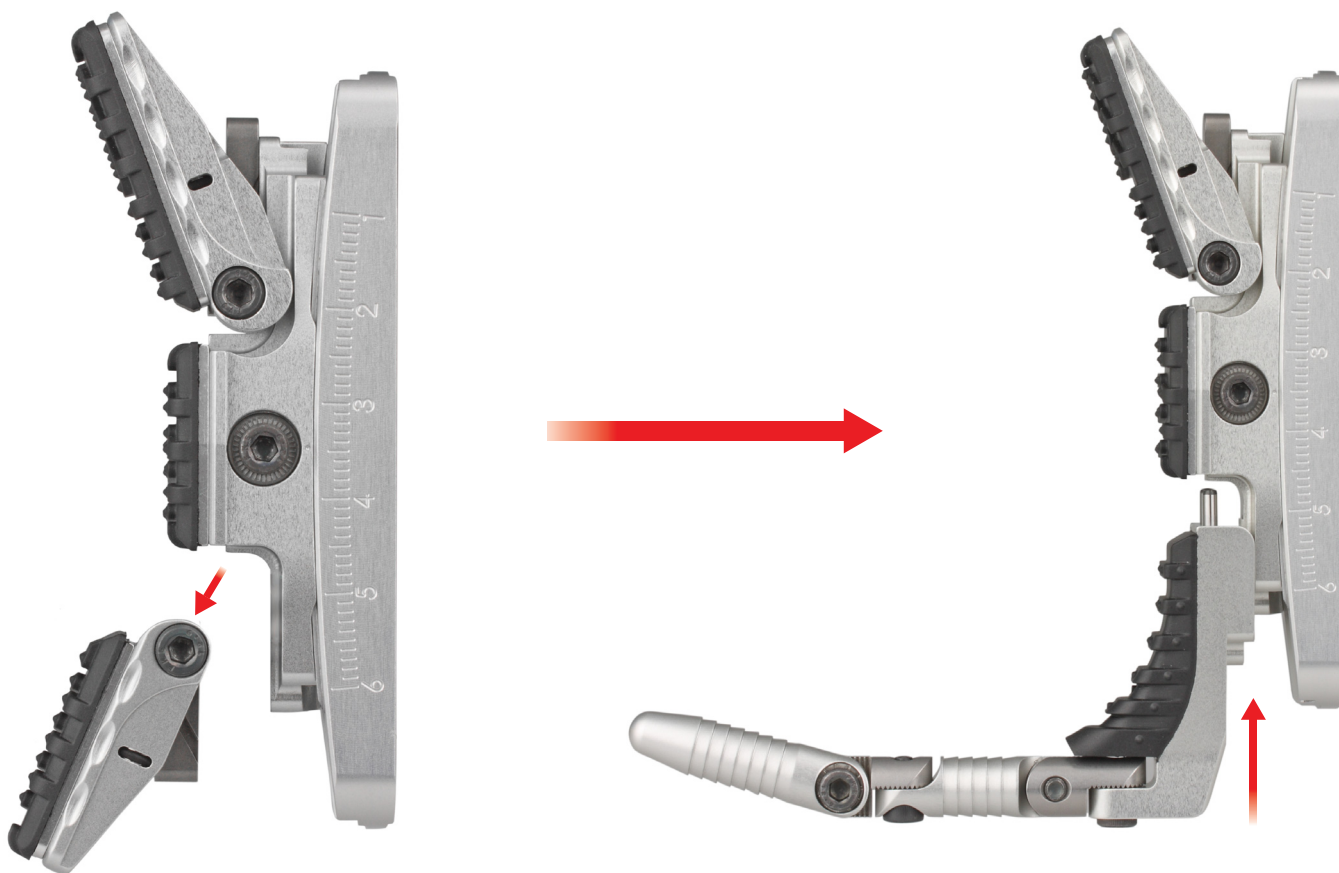
To install the hook assembly on the butt plate remove the lower blade by removing two blade mounting screws. Insert the hook assembly into the blade guide way, then gently push the hook upwards to insert the positioning pin(s) into the bore(s) of the butt plate body. Use the same screws to fasten the hook firmly to the body.

Note:

The hook assembly without SuperGrip rubber pad has one pin only.

The two universal joints allow adjustment of the hook to any position. The short link between two joints can be replaced with a longer (approx. 1 cm) link.

The hook assembly is constructed in such a way that screws are accessible from the top and from below. Should the joint screws be uncomfortable when holding the rifle in the shooting position you can remedy it by interchanging the two universal joints. By doing so the screw heads will point in the opposite direction. Make sure a lock washer is placed under each universal joint screw head. This is very important to insure good stability of the hook.



remove the lower blade from the butt plate top

mount the hook on the butt plate

Note:

The hook assembly cannot be inclined or declined, however the distance between the upper blade and the hook assembly can be adjusted as described in point 4. The hook can be adjusted using the two universal joints.

7. Accessories



Art. Nr. 14.8176
5mm SuperGrip oben
SuperGrip top



Art. Nr. 14.8179
10mm SuperGrip oben
SuperGrip top



Art. Nr. 14.8185
Grundplatte Universal
Guide plate universal



Art. Nr. 14.8177
5mm SuperGrip mitte
SuperGrip center



Art. Nr. 14.8180
10mm SuperGrip mitte
SuperGrip center



Art. Nr. 14.8178
5mm SuperGrip unten
SuperGrip bottom



Art. Nr. 14.8181
10mm SuperGrip unten
SuperGrip bottom



Art. Nr. 14.8154
5mm SuperGrip Set



Art. Nr. 14.8155
10mm SuperGrip Set



Art. Nr. 14.8190
Zusatzgewicht komplett 157g
Additional weight complete 157g



Art. Nr. 14.8191
Zusatzgewicht einzeln 26g
Additional weight single 26g



Art. Nr. 14.8175
Flügel unten Standardkappe
Bottom blade for Standard butt plate



Art. Nr. 14.8158
Hakenverbindung
Mounting device



Art. Nr. 14.8159
Hakenverbindung 5mm SuperGrip
Mounting device 5mm SuperGrip



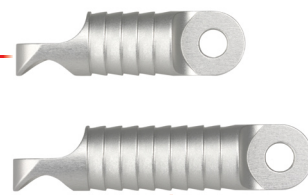
Art. Nr. 14.8160
Hakenverbindung 10mm SuperGrip
Mounting device 10mm SuperGrip



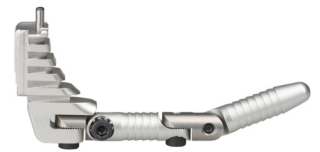
Art. Nr. 14.8162
Haken kurz
Hook short



Art. Nr. 14.8161
Haken lang
Hook long



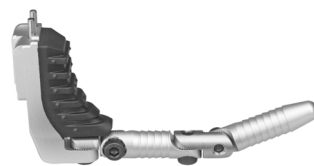
Art. Nr. 14.8164
Kurzes Zwischenstück
Spacer short for hook



Art. Nr. 14.8150
Haken komplett
Hook complete



Art. Nr. 14.8151
Haken komplett 5mm SuperGrip
Hook complete 5mm SuperGrip



Art. Nr. 14.8152
Haken komplett 10mm SuperGrip
Hook complete 10mm SuperGrip



Art. Nr. 14.8156
5mm SuperGrip F-Set



Art. Nr. 14.8157
10mm SuperGrip F-Set